

# Addressable Sounder

## SS-6888

### Overview

The SS-6888 Addressable Sounder Strobe is alarm warning device used to notify persons in the vicinity of the occurrence fire emergency in order the person to take appropriate measures. The unit adopt multi- application device starting from the types, parameters and wiring layout in single unit. The SS-6888 can change into different alarm warning types such as sounder-strobe type, sounder type or strobe type using programming tool. In addition, parameters can be configured according to the requirement which include alarm tone from 17 different tones, single address or dual address mode and also setting of power mode to low current consumption in a simple programming.

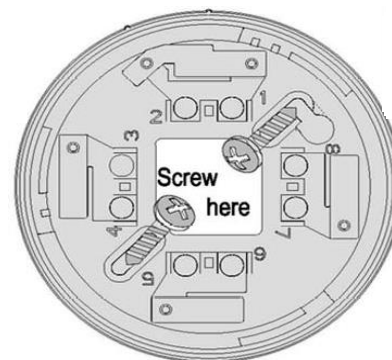
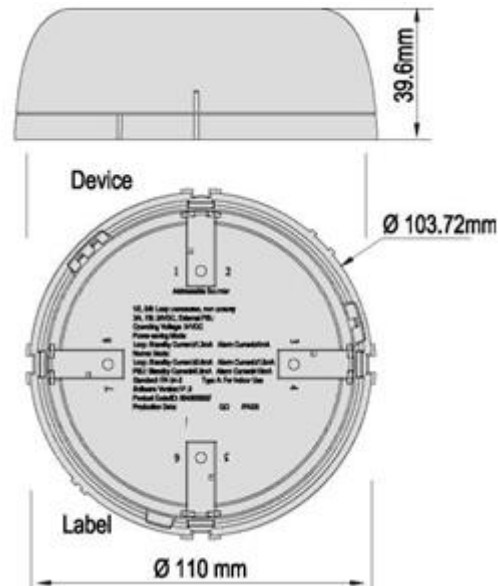
The unit manufactured base on the requirement of EN 54 part 3, European Standard. The unit is aesthetically pleasing with unobtrusive design that will complement modern building designs and its plug-in type assemblies make installation and maintenance more convenient to the installer. The unit is compatible to the SS-8888 Analogue Intelligent Fire Alarm Control Panel to avoid addressable communication compatibility problem.

### Standard Features

- EN54-3 Compliance
- Built-in MCU processor and digital addressing
- 17 tones Programmable sound output
- Programmable Evacuate or Pre-alarm/Evacuate signal
- Low and normal consumption mode
- One or Two addresses mode
- Onsite Adjustable Parameters
- Loop or external power input
- Aesthetically pleasing design
- Universal mounting with fix base for simple installation



### Typical Wiring



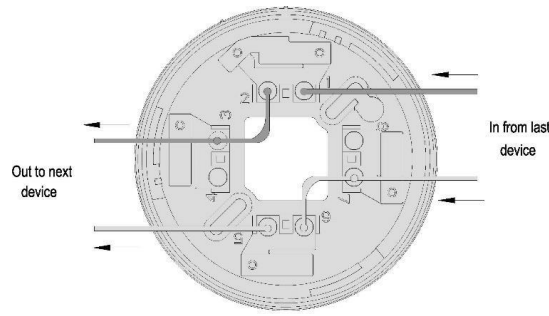


Contact us...

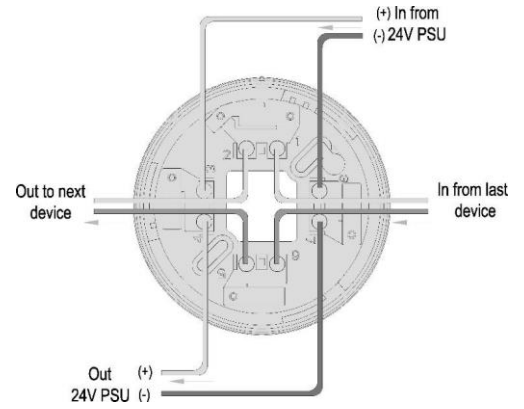
Email : Sales@iot-fire.com

Web : www.iot-fire.com

© 2019 IOT-FIRE  
All rights reserved.  
Specifications subject to change without notice.



Loop Powered Wiring



With External Supply Wiring

### Terminal Description

- 1 Signal In (+)
- 2 Signal Out (+)
- 3 External PSU In (+) Optional
- 4 External PSU Out (+) Optional
- 5 Signal In (-)
- 6 Signal Out (-)
- 7 External PSU In (-) Optional
- 8 External PSU Out (-) Optional

## Technical Specifications

Power Rating		
Input Voltage	Loop Power:	24VDC [18 V to 27.5 V]
	External PSU:	24VDC [20 V to 27.5 V]
Current Consumption	Loop:	Standby: 0.6mA, Alarm: 1.5mA
	External PSU:	Standby: 0.6mA, Alarm: 10mA
Saving Current	Loop powered	Standby: 1.2mA, Alarm: 4mA
Sounder		
Protocol/Addressing	Value range from 1 to 254	
Address Sequence	Single Address:	Evacuate tone
	Dual Address:	1 <sup>st</sup> Alert tone / 2 <sup>nd</sup> Evacuate tone
Listed	LPCB Pending	
Compliance	EN54-3	
Material / Colour	ABS / RED Glossy finishing	
Dimension / Height	Diameter 110 mm / 39.6 mm (with base)	
Weight	180g (with base), 114g (without base)	
Class	Type A, Indoors	
Ingress Protection Rating	IP21	
Operating Temperature	-10°C to +50°C	
Humidity	0 to 95% Relative Humidity, Non condensing	