

# Intelligent Addressable Smoke & Heat Detector SS-1688



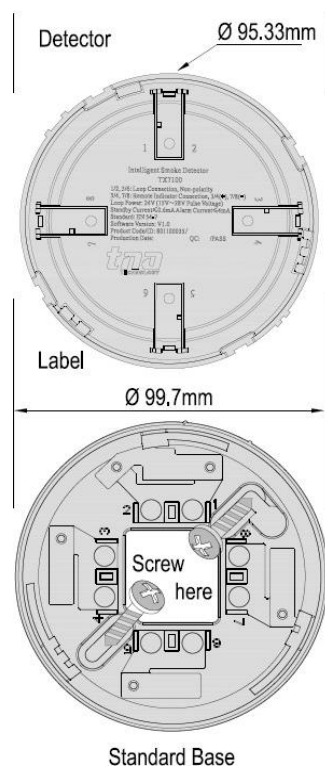
## Overview

The SS-1688 Intelligent Addressable Optical Smoke & Heat Detector is the ideal device for most applications, due to its spiffing linear response to a wide variety of different types of smoke patterns and combining with heat sensing sensor for temperature response. The unit manufactured base on the sensitivity requirement of EN 54 part 29, European Standard. The unit is aesthetically pleasing with unobtrusive design that will complement modern building designs. The unit incorporates an intelligent processor that provides Algorithm map, inbuilt A/D converter, Drift compensation, and Self-Diagnosis and History log.

Secure and speedy communication through the on-board processor enables the detector to make its own decision, resulting in greater automation. In the event of fire, the integral microprocessor analyses the signal according to factors such as signal strength and rate of increase, then confirms these patterns with the pre-programmed fire scenarios, smoke and heat patterns including rate of rise temperature, for a faster and safer response. Once it is confirmed, the LED indicates the sensor status and parallel sending communication signal to the control panel. The SS-1688 detector is compatible to the SS-8888 Analogue Intelligent Fire Alarm Control Panel to avoid addressable communication compatibility problem.

- Using microprocessor technology with memory capacity up to 10 events
- Analogue sending and digital addressing Provide real time algorithm to the control panel
- Smart linear drift compensation
- 360-degree visual indicator
- Onsite Adjustable Parameter
- Removable chamber against dust and small insect
- Ancillary remote indicator output
- Aesthetically pleasing design

## Detector Dimensions



## Standard Features

- EN54-29 Compliance
- LPCB Pending
- Smoke and Heat Sensor

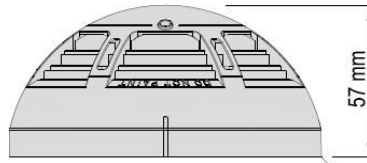


Contact us...

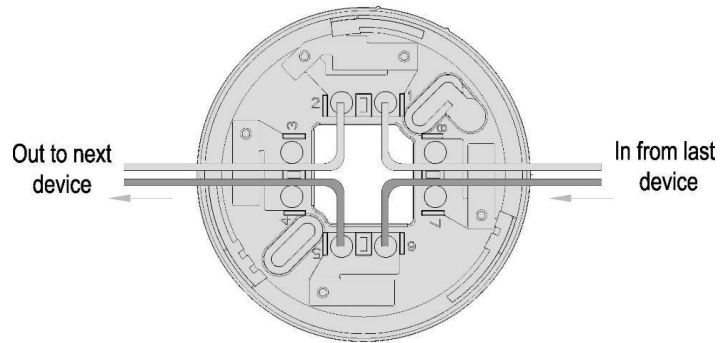
Email : Sales@iot-fire.com

Web : www.iot-fire.com

© 2019 IOT-FIRE  
 All rights reserved.  
 Specifications subject to change without notice.



## Typical Wiring



### Terminal Description

- 1 Signal In (+)
- 2 Signal Out (+)
- 3 Remote Indicator (+)
- 4 Remote Indicator (+)
- 5 Signal In (-)
- 6 Signal Out (-)
- 7 Remote Indicator (-)
- 8 Remote Indicator (-)

## Technical Specifications

<b>Power Rating</b>	
Input Voltage	24VDC [16V to 28V]
Input Current Consumption	Standby 0.6mA, Alarm: 4mA
<b>Detector</b>	
Protocol/Addressing	Value range from 1 to 254
Smoke Sensitivity	As per stipulated standard
Heat Class Type	A2R
Indicator	Single LED / 360-degree Visual
<b>Listed</b>	LPCB Pending
Compliance	EN54-29
<b>Material / Colour</b>	ABS / White Glossy finishing
Dimension / Height	Diameter 99.7 mm / 57 mm
Weight	145g (with Base), 90g (without Base)
Operating Temperature	-10°C to +50°C
Humidity	0 to 95% Relative Humidity, Non condensing