

# Conventional Reflective Beam Detector

## SS-6688

### Overview

SS-6688 Conventional Reflective Beam Detector has built in Laser beam pointing and Digital guide display for real user friendly alignment method. The Laser beam pointing accurately point the exact location where to mount mirror and with additional digital guide display allows to monitor and guide on the actual light intensity between the mirror and detector which cannot be seen by our naked eye making it more easy and convenient in alignment commissioning.

The SS-6688 has four adjustable operational ranges of between 8 to 20, 20 to 40, 40 to 70 and 70 to 100 meters beside with three adjustable sensitivity setting ranges from 2.6dB, 3.8dB and 5.8dB to meet the specific environmental requirement. The SS-6688 works on the principle of reflective infrared beam obscuration. Used in conjunction with a reflector, it will notify the fire alarm panel when the infrared beam is obscured by smoke.

The SS-6688 is ideal for use high ceiling and wide areas such as warehouses, large storages, shopping malls, leisure centres, exhibition halls, hotel lobbies, printing houses, garment factories, museums and prisons, as well as places where slight smoke particles or corrosive gas exist.



### Standard Features

- EN54-12 Certified
- Hassle free alignment, built with digital guide display and laser beam pointing
- Employ single-ended design through reflective mirror
- Four ranges wide monitoring from 8-100 meters via encoder
- Three users programing sensitivity adjustment Built-in microprocessor
- Self-diagnosis function can monitor for internal faults
- Automatic compensation for factors weakening received signals, such as dust contamination, positional movement and ageing of the transmitter
- Fire and Fault interfacing relays
- Attractive and pleasing appearance
- Real User friendly alignment method



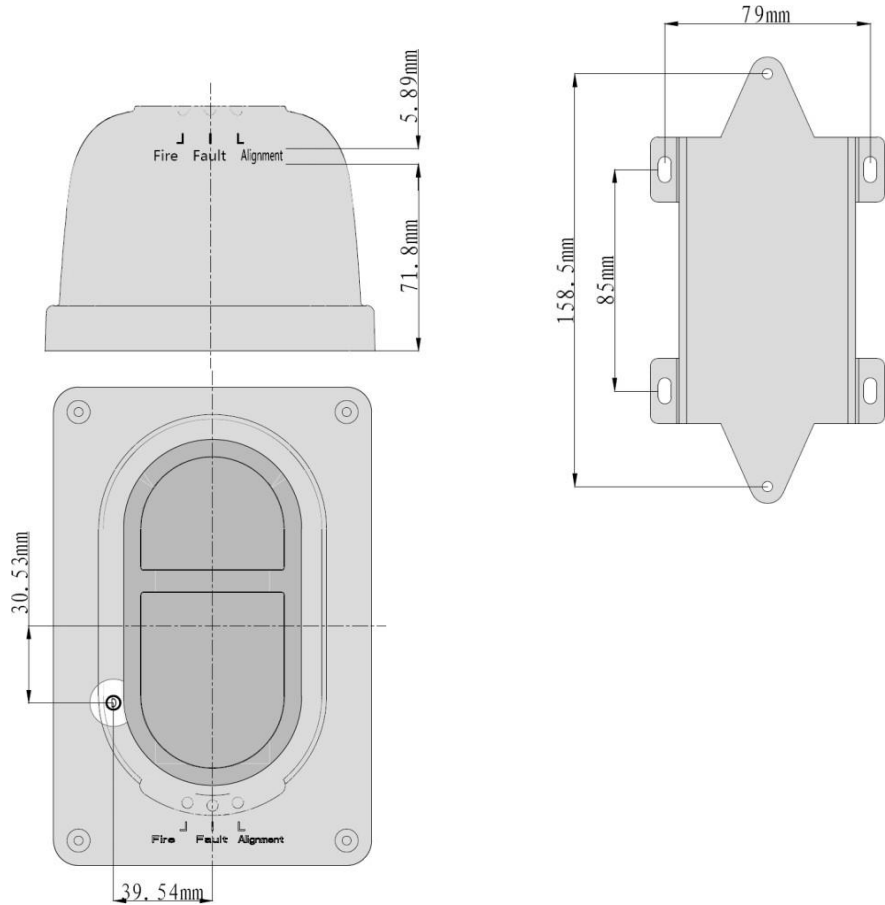
Contact us...

Email : Sales@iot-fire.com

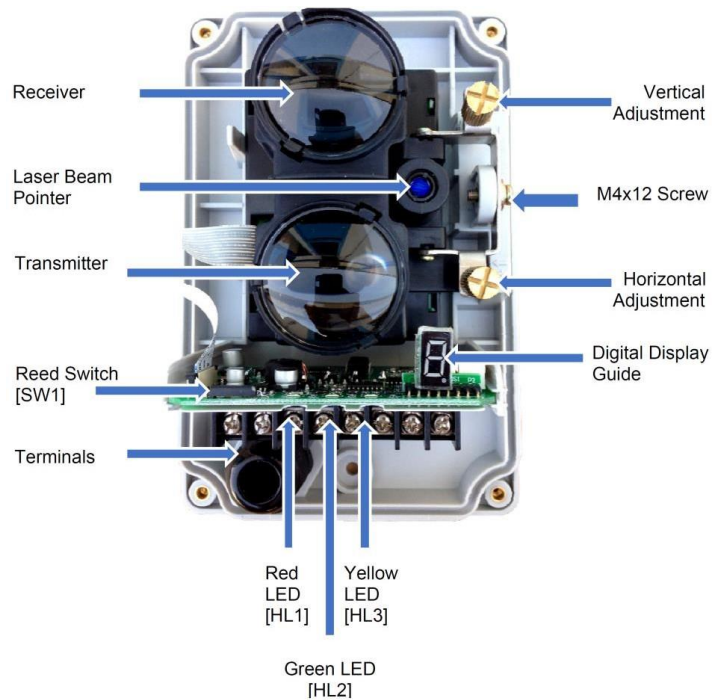
Web : www.iot-fire.com

© 2019 IOT-FIRE  
All rights reserved.  
Specifications subject to change without notice.

## Detector Dimensions



## Naming & Locations





Contact us...

Email : Sales@iot-fire.com

Web : www.iot-fire.com

© 2019 IOT-FIRE  
All rights reserved.  
Specifications subject to change without  
notice.

## Technical Specifications

### Power

|                     |   |
|---------------------|---|
| Operating Voltage   | 20 V to 28 V DC                               |
| Current Consumption | Standby:23mA    Commission:56mA    Alarm:33mA |

### Detector

|                                       |   |
|---------------------------------------|---|
| Beam Sensor Sensitivity [via Encoder] | Level 1: 2.6 dB High Sensitivity<br>Level 2: 3.8 dB Medium Sensitivity<br>Level 3: 5.8 dB Low Sensitivity |
|---------------------------------------|---|

|                                   |  |
|-----------------------------------|--|
| Beam Pathway Length [via Encoder] | Span 1: 8 to 20 meters Short Path<br>(1x mirror reflector required)<br>Span 2: 20 to 40 meters Short Path<br>(1x mirror reflector required)<br>Span 3: 40 to 70 meters Normal Path<br>(4x mirror reflector required)<br>Span 4: 70 to 100 meters Long Path<br>(4x mirror reflector required) |
|-----------------------------------|--|

|                               |  |
|-------------------------------|--|
| Beam Path Angle               | ±0.5° Directional                          |
| Alignment Guide               | Laser Beam Pointer                         |
| Digital Display Guide         | Nixie Tube                                 |
| LED Indicator Guide           | Red: Fire; Yellow: Fault; Green: Alignment |
| Reset Time                    | Less than 2 Second (Power Cut)             |
| Relay Capacity [Fire & Fault] | Normally Open/ 2.0 A; 30 VDC               |

### Standard

|                                  |                     |
|----------------------------------|---------------------|
| Listed                           | LPCB / CE-CPR       |
| Compliance                       | EN54-12:2002        |
| Fire Detection and Alarm Systems | BS 5839 Part 1:2002 |

### Physical

|                   |   |
|-------------------|---|
| Material / Colour | ABS / White                                     |
| Dimension         | L:190.87 x W:126.87 x H:91.96 mm / 440 gm       |
| Weight            | 0.130kg (with Base)                             |
| Accessories       | Mounting Bracket/ TX7130-R 4 x Mirror Reflector |

### Environmental

|                       |  |
|-----------------------|--|
| Operating Temperature | -10°C to +55°C                             |
| Humidity              | 0 to 95% Relative Humidity, Non condensing |
| Protection Rating     | IP30 [IP66 glue seal-For permanent fixing] |