

Intelligent Addressable Fire Alarm Control Panel SS-8888

Overview

The SS-8888 comprise of a range of analogue addressable, microprocessor based fire alarm control equipment to offer flexibility in both design and operation. The System is modular concept for easy tailoring of system design, to meet the full requirements of the project. The SS-8888 Intelligent Fire Alarm Control Panel is designed and manufactured to meet the requirement of BS EN54 Part 2&4.

The SS-8888 is designed to provide early warning fire detection, to quickly identify the location of fire and provide user definable text informing the occupants of the building of potential smoke spread. Simultaneously, the SS-8888 will alert and evacuate the occupants, and control all necessary auxiliary command functions such as elevator control, air handling shut down, gas shut off & damper control, as per the cause and effects requirements configured through Command Builder Setup.

Standard Features

- Certified EN54-2:1997 +A1:2006, EN54-4:1997 + A1:2002 + A2:2006
- LPCB Approved
- Using advance microprocessor technology with Large memory capacity
- Enhance user interface combining LCD Touch screen and keypad access
- Support real time visual algorithm
- Enhance false alarm prevention
- Keypad and PC programming
- Built-in Multiple interface protocol such as USB/Ethernet/CanBus/Serial/RS485 (Available only in SS-8888 Panel)
- Support Loop Powered devices for extra saving on cable cost
- Built-In Printer and 160 LED Zones Indicators



EN54-2/4
1330H-(cl-1)



0832-CPR-F2013
Y17

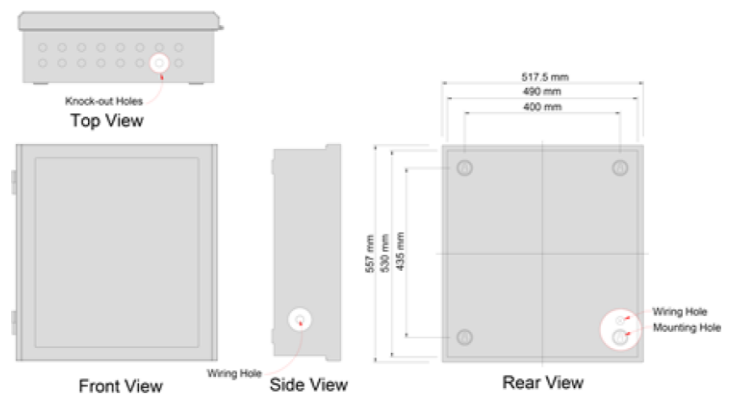
Commissioning Advantage

- Auto Enrolling of Devices
- Loop Mapping with colour coding status
- Monitor device mismatch and dual address conflict
- Command Builder to create requirements for fire event scenario
- With Loop protection against power surge
- One-man test with On/Off sounder Programming Protection

System Capacity

- 2 loop, 4 loop Panel, (6 loop standalone)
- Support 254 Devices (1,524 ideal)
- Network up to 512 Node
- Programmable Capacity
- Zones up to 3000
- Sounders Groups 1-1000
- Modules Groups 1001- 2000
- Built-in 160 LED Zones Indicator

Cabinet Dimensions





Contact us...

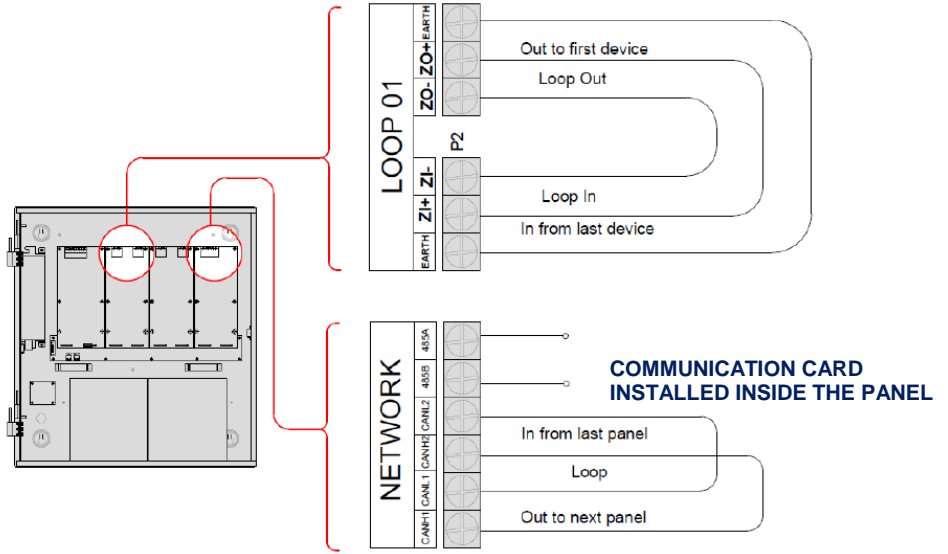
Email : Sales@iot-fire.com

Web : www.iot-fire.com

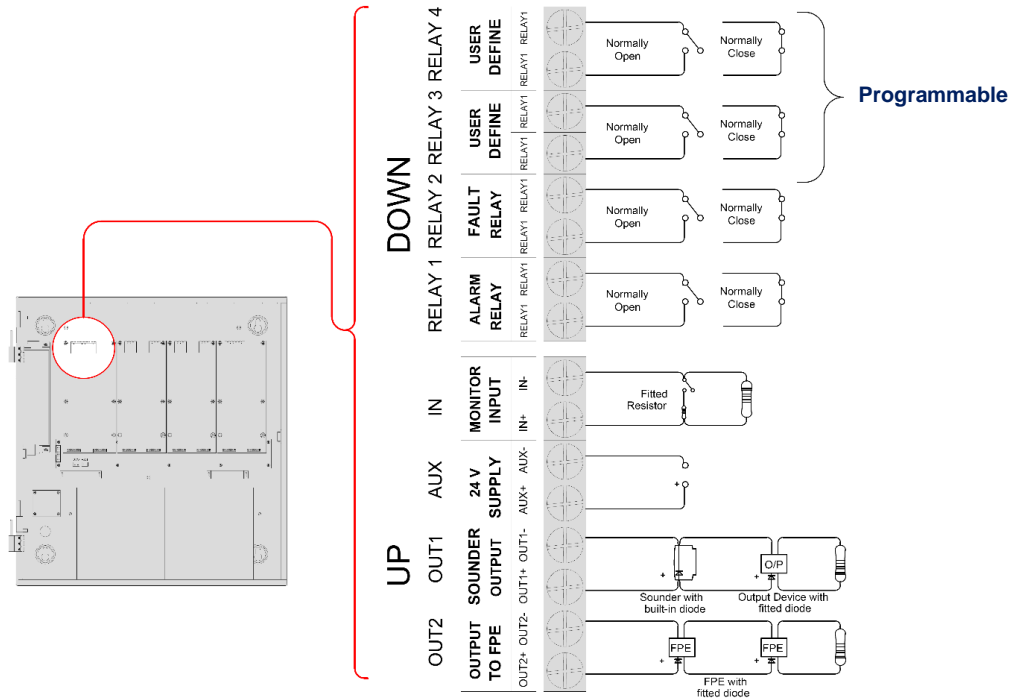
© 2019 IOT-FIRE
All rights reserved.
Specifications subject to change without notice.

Typical Wiring

Loop and Network Wiring Details



Input/output Wiring Details





Contact us...

Email : Sales@iot-fire.com

Web : www.iot-fire.com

© 2019 IOT-FIRE
All rights reserved.
Specifications subject to change without
notice.

Technical Specifications

Power Rating

Input Voltage	240VAC +10%-15%, 50/60Hz
Input Current Consumption	1 A
PSU Output to CIE	24.5 to 28.5 VDC
Batteries	2 x 12V / 24AH

System Capacity

Memory [Non-Volatile]	1000 Fire Events, 10,000 General Event
Zones	3,000 programmable
Total Group	3,000 programmable
Sounder Group	1,000 programmable
Common Group	2,000 programmable

Loop Specifications

Protocol/Addressing	Value range from 1 to 254
No. of Loop	4 Loop
Protection	Built-in 4kV Surge protection
Power rating	16 to 24Vdc
Cabling	1.2Km Max Length/2 x 1.5mm ² solid core Fire resistance

Input/outputs

Programmable Relays	4 circuits: Normally Open/Close
Programmable Input	1 Circuit: Power limited 24Vdc (for future use)
Programmable Auxiliary Power	19 to 28 VDC (Note: Current Limited)
Fixed Outputs (FPE/Sounder)	2 Circuits 18 to 28 VDC (Note: Current Limited)
Indicator	24 LED Status/ 160 Zone Indicators
Display	7" TFT Touch Screen
Keypad	5 Brigade buttons and Programming Keypad

Networking and Interfaces

Panel to panel communication	Can Bus [loop]
Number of Panels	512
Interface Port	USB, RS485 Serial, RS232 Serial, Ethernet

Listed

Certified	EN54-2:1997+A1:2006, EN54-4:1997+ A1:2002+A2:2006
-----------	---

Material / Colour

Material / Colour	Flat sheet Metal / with outer glass door, Orange stripe
Dimension Lx W x H	530 mm x 490 mm x 135 mm
Weight	16.70 Kg
Humidity	0 to 95% Relative Humidity, Non condensing