



DI-9102E

Intelligent Photoelectric Smoke Detector



Description

DI-9102E Intelligent Photoelectric Smoke Detector is addressable type fire detection device, build up fire alarm system together with fire alarm panel and other alarm devices. By light-scattering technology, the detector is suitable for hotel, restaurant, office building, school, bank, warehouse, library, computer room, switch room, and etc

Features and Benefits

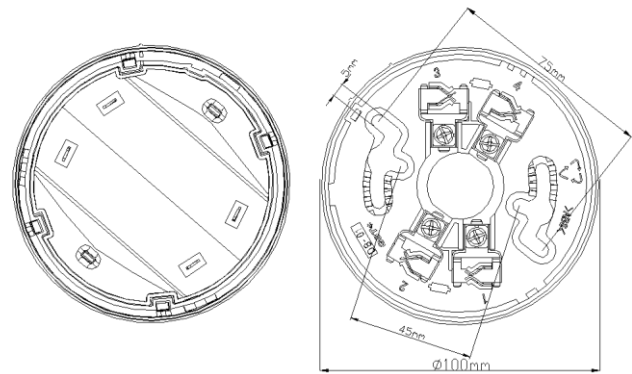
- Electrically addressed, can be modified by programmer.
- Strong environmental adaptability due to drift compensation.
- Self-diagnostic, reed switch test.
- Dirty chamber checking.
- Fire LED allows 360° viewing
- Possible to switch off pulling LED
- Remote indicator output.
- Removable innovative sensing chamber, easy for maintenance.
- 2 levels sensitivities programmable (Level 1 certified).
- LPCB approved at EN 54-7

Certificates and Compliance

- Standards: CE / CPD / EN54-7
- Certifications: LPCB
- BS5839-1 Compliant
- WEEE & RoHS Compliant

Terminals and Installation Holes

Below figures show the detector bottom and terminals of the base.



There are four terminals with marks on the base.

- 1&3: Loop connection (non-polarized)
- 2: Positive terminal of remote indicator
- 4: Negative terminal of remote indicator

The base is suitable to be installed onto standard European embedded back box, with hole-distance 45mm to 75mm

Recommended Cabling

1.0mm² or above fire cable is recommended, but subject to local codes.

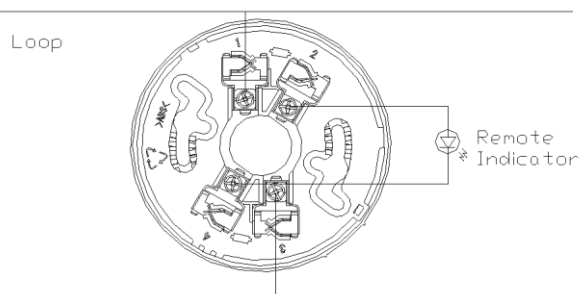
Application

Address can be set through P-9910B programmer, also the sensitivity. Below table shows relative codes for sensitivity levels and working modes. Factory defaults at Level 1 + Normal LED.

Detector Codes

Detector Code	Sensitivity	Polling LED
1	1	Normal
2	2	Normal
129	1	Close
130	2	Close

The typical wiring diagram is shown below.



Technical Specification

Operating Voltage	loop 24V (16V ~ 28V)
Standby Current	≤0.8mA
Alarm Current	≤1.8mA (without remote indicator) ≤3.8mA (with remote indicator)
Indicator	Red. Flashes in polling, and illuminates in alarm
Programming Method	Electronically programming
Code Range	1 ~ 242
Wiring	Non-polarized 2-core for loop. Polarized 2-core for remote indicator.
Sensitivity Level	2
Environment Temperature	-10°C ~ 50°C
Relative Humidity	≤95%, non condensing
Material of Enclosure	ABS
Ingress Protection Rating	IP2X
Dimensions	Diameter: 100mm Height: 54.5mm (with base)
Mounting Hole Distance	45mm ~ 75mm
Weight	About 110g

Ordering Information and Compatible Products

Part No.	DI-9102E
Device Name	Intelligent Photoelectric Smoke Detector
Order Code	1024827
Compatible Products	GST100 Intelligent Fire Alarm Control Panel GST200-2 Intelligent Fire Alarm Control Panel GST200N Intelligent Fire Alarm Control Panel GST- IFP8 Intelligent Fire Alarm Control Panel

Accessories and Tools



Part No.: DB-01
Device name: Standard Base
Order Code: 4045764



Part No.: DC-9504E
Device name: Base Mount Isolator
Order Code: 1245103



Part No.: C-9314P
Device name: Remote Indicator
Order Code: 2132339



Part No.: P-9910B
Device name: Handheld Programmer
Order Code: 1274894