

SE-30

SHINZ[®]
Innovating Future

ORDERING DETAILS **2IN1**



RECESSED MOUNT
0.241 Kg/Unit
30 Units/Carton



SURFACE MOUNT
0.296 Kg/Unit
30 Units/Carton

SURFACED AND RECESSED

- Ideal for use in modern hotels , commercial and public buildings, Café & Pubs etc.
- An architecturally pleasing with 2 in 1 combine accessories to enable for either recess or surface mount which inspire you and maximize the potential of your latest design concept.
- Our aim was to design a compact and easy-to-install product that would fit into an ever-diminishing ceiling void and through a minimal cut-out.
- Designed , Tested and Manufactured to meet the requirements of EN 60598.2.22 & Malaysia Standard MS 619 .

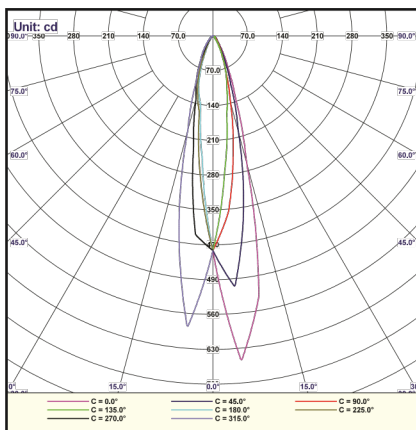


TECHNICAL CHARACTERISTIC

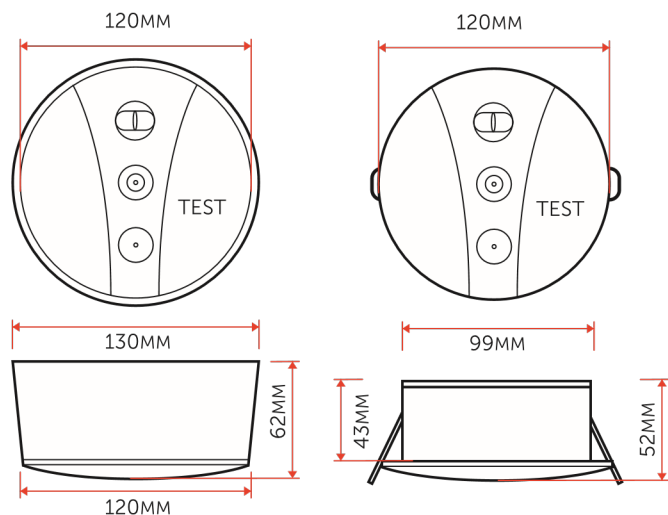
Mode of Operation	: Non-Maintained
Input Voltage	: 240~ VAC, 50 Hz
Lamp Type	: 1 x 2W LED
Lamp Output	: 130 lumens
Input Current	: 0.06A
Power Factor	: 0.4
Charger	: Solid State Electronic Automatic
Charger Monitor	: Red LED
Test Facility	: Push-To-Test Switch
Battery Type	: High Temp. Sealed Nickel-Cadmium
Back Up Duration	: 3 Hours
Operating Temperature	: ta 35°C
Weight	: 0.296 Kg
Mounting	: Surface / Recess
Degree of Protection	: IP 20
Fitting Construction	: Injection Molding Fire Reductant Polycarbonate
Warranty	: 2-5 Years (Terms & Conditions Apply)

PHOTOMETRIC

Polar Luminous Intensity Distribution



DIMENSIONS



EMERGENCY LUMINAIRE

MODEL
SE-30

SHINZ[®]

Innovating Future



A NEW AGE OF
E M E R G E N C Y
E N L I G H T E N M E N T

SE-30